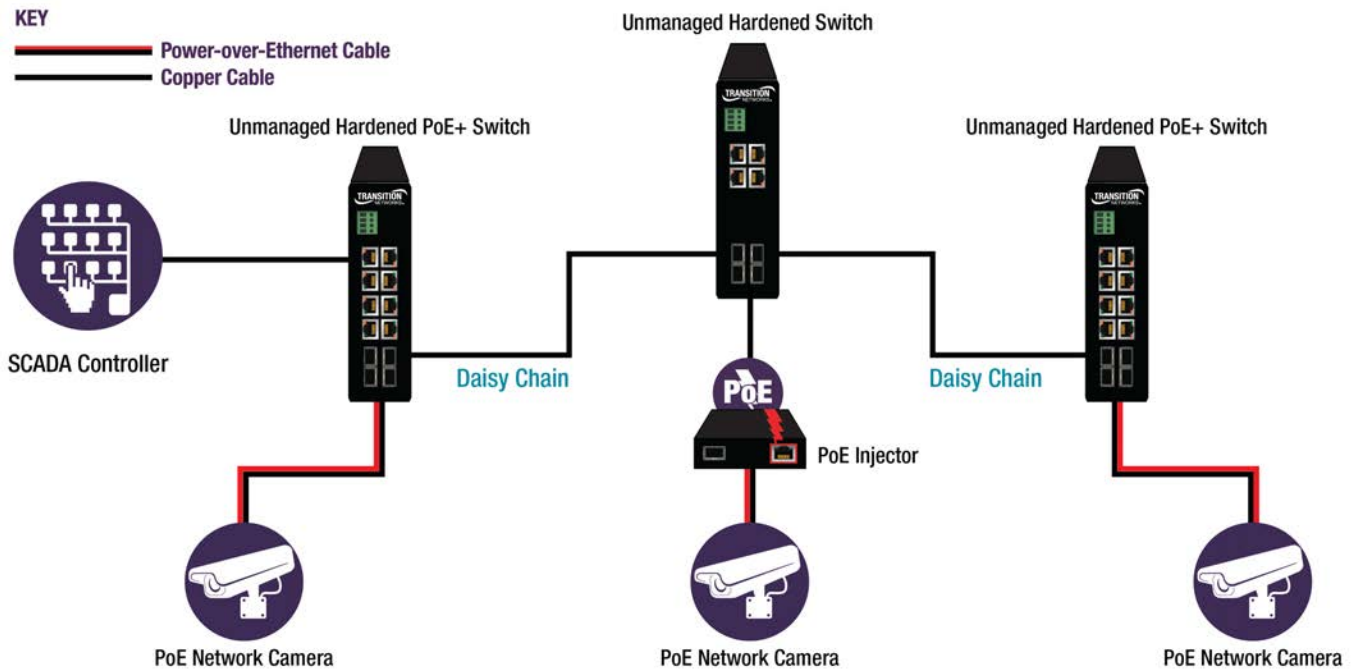


# Unmanaged Hardened Switches



## Applications

- IP surveillance, supplying power and data to IP cameras
- Outdoor, hardened environments
- Intelligent Transportation Systems
- Hazardous locations such as Oil & Gas manufacturing facilities

## Features

## Benefits

Full Wire-speed Gigabit Ports	Increase throughput for bandwidth-demanding application
Jumbo Frames	Transmit/receive large packets, or Jumbo Frame (up to 9K), to increase performance
Wide Operating Temperature Range	Reliably operate within a wide temperature range (-40°C to +75°C) for harsh environments
DIN Rail and Wall Mountable	Ruggedized metal enclosure with integrated DIN Rail mounting brackets, optional Wall Mount kits
Two Dual-speed SFP Slots	Two 100 or 1000Base-X SFP slots for daisy chain applications
Class 1 Div 2 Certified	Designed to withstand hazardous locations to ensure reliable operation in Oil & Gas and chemical manufacturing networking environment.
IEEE 802.3at PoE+	Supplies up to 30 Watts per port and automatically detects PoE devices and their power class (on SISTP1040-3x2-LRT only)

## SISTP1040-3x2-LRT & SISTG1040-2x2-LRT

Specifications	SISTP1040-382-LRT	SISTP1040-342-LRT	SISTG1040-282-LRT	SISTG1040-242-LRT
Connectors	(8) 10/100/1000Base-T Ports + (2) 100/1000Base-X SFP Slots	(4) 10/100/1000Base-T Ports + (2) 100/1000Base-X SFP Slots	(8) 10/100/1000Base-T Ports + (2) 100/1000Base-X SFP Slots	(4) 10/100/1000Base-T Ports + (2) 100/1000Base-X SFP Slots
Switching Capacity	20 Gbps	12 Gbps	20 Gbps	12 Gbps
PoE	Max PoE budget 240 Watts 30 Watts for (8) ports simultaneously	Max PoE budget 120 Watts 30 Watts for (4) ports simultaneously		
Weight	1.01 lbs. [0.46 kg]	0.95 lbs. [0.43 kg]	0.86 lbs. [0.39 kg]	0.79 lbs. [0.36 kg]

### All Unmanaged Hardened Switches

Standards	IEEE 802.3, IEEE 802.3u, IEEE 802.3z, IEEE 802.3ae, IEEE 802.3x, IEEE 802.1p, IEEE 802.3az
PoE Standards	IEEE 802.3af, IEEE 802.3at
Protocols	CSMA/CD
Technology	Store-and-Forward switching architecture
MAC Address	4K MAC address table
Dimensions	Width: 5.3" [135 mm], Depth: 5.4" [130 mm], Height: 1.7" [44 mm]
Power Input for PoE	48 - 57 VDC; Redundant input; reverse power protection
Power Input for Non-PoE	12 - 48 VDC; Redundant input; reverse power protection
Ingress Protection	IP30
Environment	Operating: -40°C to +75°C Humidity: 5% to 95% (non-condensing)
Compliance	UL Class 1 / Div 2; EMI: CE, FCC Part 15; Safety: EN60950
Compliant	EN50121-4, EN50155, NEMA TS-2, IEC61850-3, IEEE1613