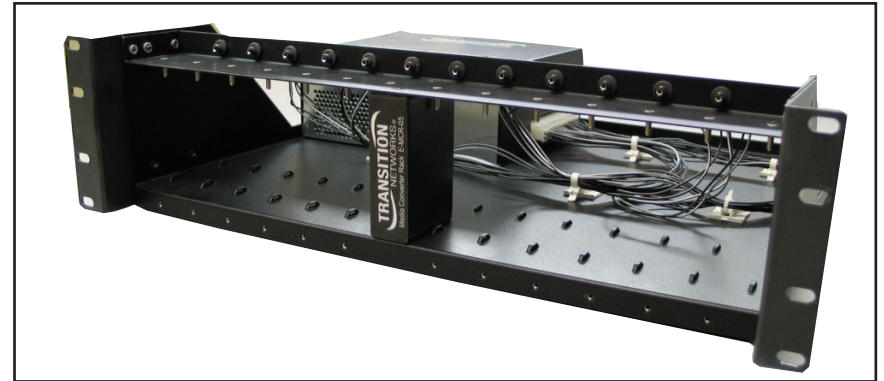


## E-MCR-05 Media Converter Rack User's Guide



Transition Networks' E-MCR-05 series media converter rack provides space and power in a rack-mountable chassis for twelve (12) separate and independent Transition Networks stand-alone media converters, each with power requirements of 12 VDC.

**Note:** The E-MCR-05 media converter rack is intended for the installation of media converters designed and built by Transition Networks only.

Part Number	Description
E-MCR-05	Provides installation space for up to twelve (12) Transition Networks stand-alone media converters that require an external power supply. Media converter dimensions will be approximately 3.0 in. high x 1.0 in. wide x 4.7 in. deep (76 mm x 25 mm x 119 mm).

Installation	2
Maintenance	6
Technical Specifications	7
Compliance Information	7

## Installation

### Table-Top Installation

The E-MCR-05 is shipped with nine (9) black rubber feet for optional installation on a table or other flat-stable surface. When installing on a table top, remove the rubber feet from the card and place them evenly spaced on the bottom of the chassis. The E-MCR-05 must be installed in a well-ventilated area.

### Rack Installation

The E-MCR-05 ships with four (4) attachment screws for installation in a standard rack.

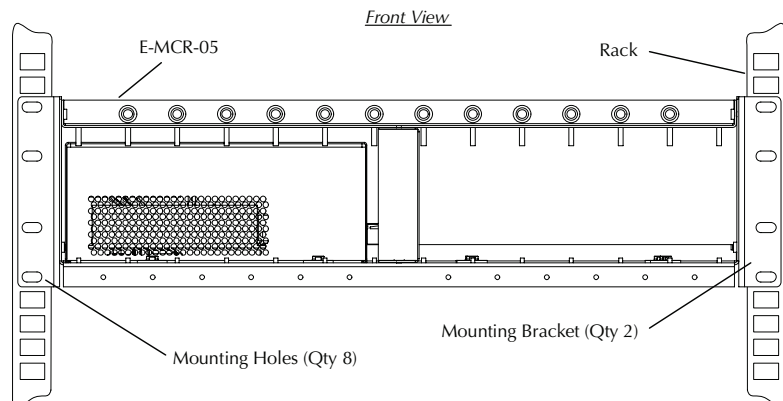
**WARNING:** Take care to mount the E-MCR-05 so that it will not fall. Failure to observe this warning could result in an injury or damage to the equipment.

**IMPORTANT:** Follow the rack manufacturer's recommendation for mounting the E-MCR-05 into the rack.

**IMPORTANT:** Ensure that proper airflow around the E-MCR-05 is maintained.

#### Mounting the E-MCR-05 into a rack

1. Locate four (4) screws (*provided*) and optional clip-nuts (*not provided*) for each E-MCR-05 Media Converter Rack.
2. Carefully align the E-MCR-05 at a level position between the rack mounting rails as shown below.
3. Install two (2) screws through the right front bracket and two (2) screws through the left front bracket; use the clip nuts to secure the E-MCR-05 to the rack.

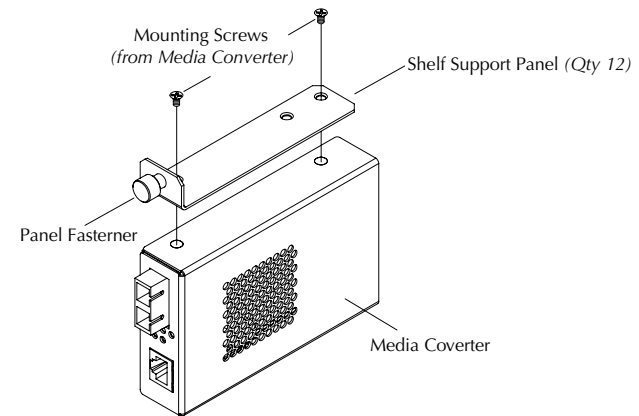


## Installation -- Continued

### Install shelf support panel to media converter(s)

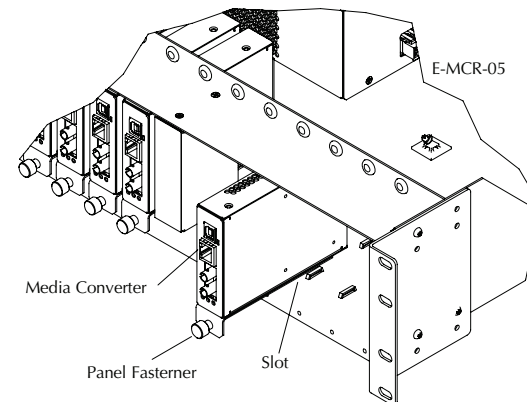
The E-MCR-05 comes with 12 self support panels that must be mount to each media converter before it can be installed.

1. Set the media converter on it side as shown below.
2. Remove the two (2) screws securing the cover to the media converter.
3. Position the shelf support panel as shown below.
4. Insert the two screws as shown below and tighten to secure to the media converter.



### Install media converters into E-MCR-05

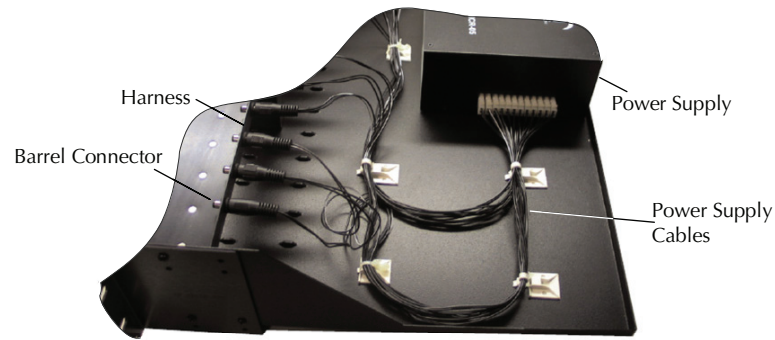
1. Position the media converter in the E-MCR-05 as shown below and then carefully slide it into the slot.
2. Tighten the panel fastener located directly under the media converter to secure it to the E-MCR-05.



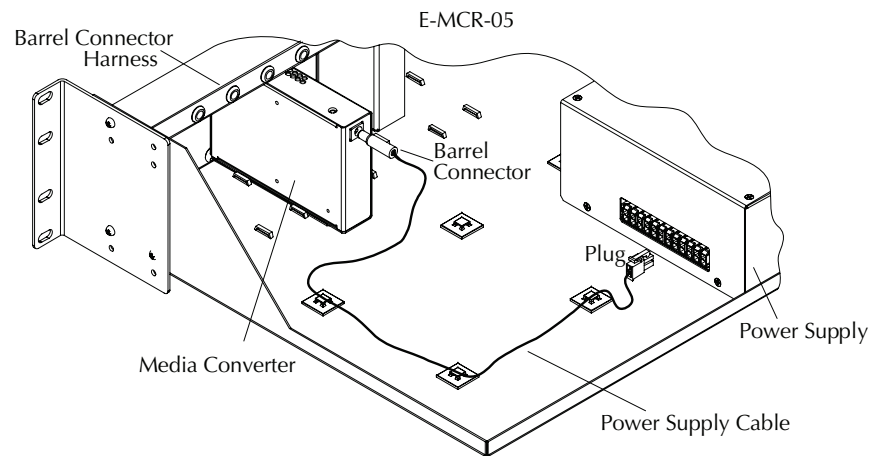
## Installation -- Continued

### Connect power to media converters

1. Select a barrel connector end of one power supply cable that is inserted into the harness shown below.



2. Insert the barrel end of the power supply cable into the media converter as shown below.



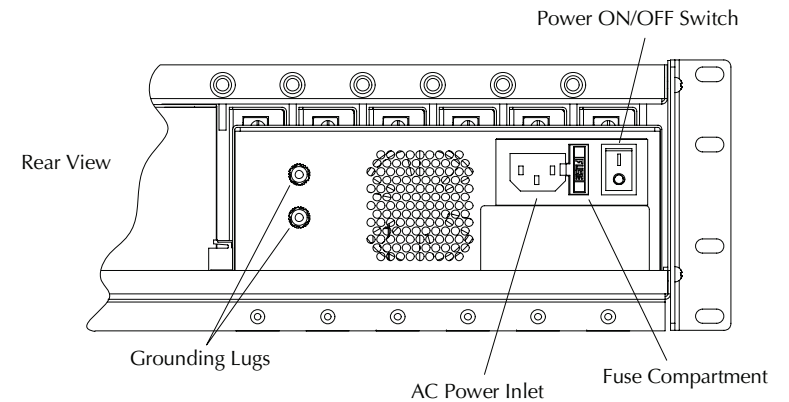
## Installation -- Continued

### Connect power to the E-MCR-05

**IMPORTANT:** Make sure that the E-MCR-05 will not overload the circuit used to supply power. See Technical Specifications for current and power maximums.

**WARNING:** Make sure that the E-MCR-05 is properly grounded. Failure to observe this warning could result in an electrical shock.

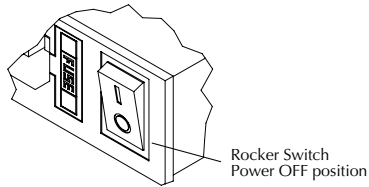
1. Locate the power cord.
2. Insert the female end of the power cord into the power supply AC power inlet shown below.
3. Insert the other end of the power cord into the AC wall outlet.
4. Press the power ON/OFF rocker switch to the ON position to supply power to E-MCR-05—media converter power LEDs should turn ON.



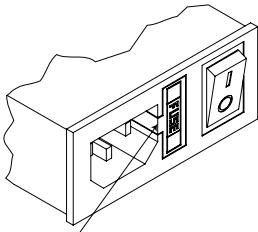
## Maintenance

### Replace fuse

1. Turn the power rocker switch to the OFF position (O) as shown below.

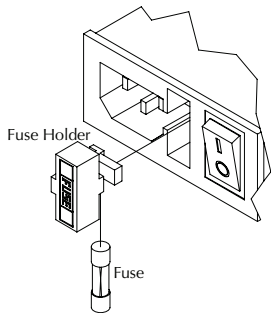


2. Remove the power cord from the power supply of the E-MCR-05.
3. Insert a small flat-blade screwdriver at the fuse holder as shown below and pull or carefully pry outward to dislodge the fuse holder.



Position Screwdriver Here

4. Remove the fuse from the fuse holder.



5. Install a new, 4A fuse "ONLY" into the fuse holder.
6. Install the fuse holder into E-MCR-05.
7. Plug the power cord into the E-MCR-05 AC power inlet.
8. Press the power switch to the ON position (I) and media converter power LEDs should turn ON.

## Technical Specifications

For use with Transition Networks Model E-MCR-05.

Dimensions:	19.0" x 15.0" x 4.75" (483 mm x 381 mm x 121 mm)
Weight:	8 lbs. (3.6 kg) (approximately)
Power Requirements:	Ensure that the available power circuits are not overloaded and that the media converter rack is reliably grounded.
Input Voltage:	110 to 240VAC
Input Current:	3.3A maximum (360 watts maximum)
Input Frequency:	50 to 60 Hz
Output Voltage:	12 VDC
Output Current:	630 mA per port maximum
MTBF:	46,000 MIL-HDBK-217F Hours 126,500 Bellcore Hours
Environment:	Operating Temp: 0 to 50°C (32 to 122°F) Humidity: 10 to 90%, non condensing Warranty: Lifetime



### Declaration of Conformity

Name of Mfg: Transition Networks  
10900 Red Circle Drive, Minnetonka MN 55343 U.S.A.

Model: E-MCR-05 Media Converter Rack

Part Number: E-MCR-05

Regulation: EMC Directive 2004/108/EC, LVD 2006/95/EC

Purpose: To declare that the E-MCR-05 to which this declaration refers is in conformity with the following standards.  
EN 55022: 2006 Class A; EN 55024:1998+A1:2001+A2:2003, IEC 60950-1:2005, C-UL Listed, CE Mark

I, the undersigned, hereby declare that the equipment specified above conforms to the above Directive(s) and Standard(s).

  
Stephen Anderson, Vice-President of Engineering

September, 2010  
Date

## Compliance Information

### FCC Regulations

This equipment has been tested and found to comply with the limits for a Class A digital device, pursuant to part 15 of the FCC rules. These limits are designed to provide reasonable protection against harmful interference when the equipment is operated in a commercial environment. This equipment generates, uses, and can radiate radio frequency energy and, if not installed and used in accordance with the instruction manual, may cause harmful interference to radio communications. Operation of this equipment in a residential area is likely to cause harmful interference, in which case the user will be required to correct the interference at the user's own expense.

---

## Compliance Information -- Continued

### Canadian Regulations

This digital apparatus does not exceed the Class A limits for radio noise for digital apparatus set out on the radio interference regulations of the Canadian Department of Communications.

Le présent appareil numérique n'émet pas de bruits radioélectriques dépassant les limites applicables aux appareils numériques de la Class A prescrites dans le Règlement sur le brouillage radioélectrique édicté par le ministère des Communications du Canada.

### European Regulations

**Warning** This is a Class A product. In a domestic environment this product may cause radio interference in which case the user may be required to take adequate measures.

**Achtung!** Dieses ist ein Gerät der Funkstörgrenzwertklasse A. In Wohnbereichen können bei Betrieb dieses Gerätes Rundfunkstörungen auftreten, in weichen Fällen der Benutzer für entsprechende Gegenmaßnahmen verantwortlich ist.

**Attention!** Ceci est un produit de Classe A. Dans un environnement domestique, ce produit risque de créer des interférences radioélectriques, il appartiendra alors à l'utilisateur de prendre les mesures spécifiques appropriées.



**CAUTION:** RJ connectors are NOT INTENDED FOR CONNECTION TO THE PUBLIC TELEPHONE NETWORK. Failure to observe this caution could result in damage to the public telephone network.

Der Anschluss dieses Gerätes an ein öffentliches Telekommunikationsnetz in den EG-Mitgliedstaaten verstösst gegen die jeweiligen einzelstaatlichen Gesetze zur Anwendung der Richtlinie 91/263/EWG zur Angleichung der Rechtsvorschriften der Mitgliedstaaten über Telekommunikationsendeinrichtungen einschliesslich der gegenseitigen Anerkennung ihrer Konformität.



In accordance with European Union Directive 2002/96/EC of the European Parliament and of the Council of 27 January 2003, Transition Networks will accept post usage returns of this product for proper disposal. The contact information for this activity can be found in the 'Contact Us' portion of this document.

### Technical Support

Technical support is available at [techsupport@transition.com](mailto:techsupport@transition.com)

US and Canada: 1-800-260-1312 (24 hours) International: 00-1-952-941-7600 (24 hours)

Chat live via the Web with Transition Networks Technical Support.

Log onto [www.transition.com](http://www.transition.com) and click the Transition Now link.

Transition Networks provides seminars via live web-based training.

Log onto [www.transition.com](http://www.transition.com) and click the Learning Center link.

Transition Networks, 10900 Red Circle Drive, Minnetonka 55343, U.S.A. telephone: 952-941-7600, toll free: 800-526-9267, fax: 952-941-2322

### Trademark Notice

All trademarks and registered trademarks are the property of their respective owners.

### Copyright Restrictions

© 2010 Transition Networks.

All rights reserved. No part of this work may be reproduced or used in any form or by any means - graphic, electronic, or mechanical - without written permission from Transition Networks.

Printed in the U.S.A.