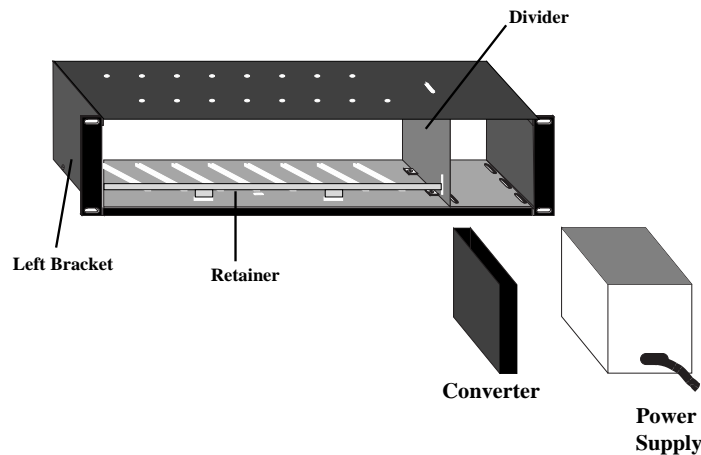




Installation of Converter Rack Mount



To use your new converter rack mount, follow this procedure:

1. Remove the assembled unit, retainer bar, and power supply from the shipping box.
2. You will notice on the power supply that one end has multiple converter cords, and the other end has one AC cable. You need to wrap the single AC cable over the top of the power supply and secure it with the enclosed tie wrap.
3. Leading with the converter connecting cords and AC cable side of the power supply, slide the power supply into the space provided on the right side of the rack so that all of the external cords are in the back of the rack.
4. Insert the AC connector into the appropriate AC outlet.
5. Install your converters securely into the rack.
6. Connect one converter cord connector from the power supply into the appropriate slot on your converter.
7. Insert the retainer bar into the cut-out on the Left Bracket. Then align and insert the right side of the bracket into the cut-out on the Divider. The two bottom stems on the bracket should fit into the two cut-outs on the Rack Mount.
8. Installation is now complete. Your new converter rack mount is ready to be installed in a 19" rack.