

Regulatory Approvals

FCC Class A
 UL 1950
 CSA 22.2 No. 950
 EN60950
 CE
 – EN55022 Class B
 – EN50082-1

Canadian EMI Notice

This Class A digital apparatus meets all the requirements of the Canadian Interference-Causing Equipment Regulations.
 Cet appareil numérique de la classe A respecte toutes les exigences du Règlement sur le matériel brouilleur du Canada.

European Notice

Products with the CE Marking comply with both the EMC Directive (89/336/EEC) and the Low Voltage Directive (73/23/EEC) issued by the commission of the European Community. Compliance with these directives implies conformity to the following European Norms:
 EN55022 (CISPR 22) - Radio Frequency Interference
 EN50082-1 (IEC801-2, IEC801-3, IEC801-4) - Electromagnetic Immunity
 EN60950 (IEC950) - Product Safety

Five-Year Limited Warranty

MiLAN Technology warrants to the original consumer or purchaser that each of its products, and all components thereof, will be free from defects in material and/or workmanship for a period of five years from the original factory shipment date. Any warranty hereunder is extended to the original consumer or purchaser and is not assignable.

MiLAN Technology makes no express or implied warranties including, but not limited to, any implied warranty of merchantability or fitness for a particular purpose, except as expressly set forth in this warranty. In no event shall MiLAN Technology be liable for incidental or consequential damages, costs, or expenses arising out of or in connection with the performance of the product delivered hereunder. MiLAN Technology will in no case cover damages arising out of the product being used in a negligent fashion or manner.

Trademarks:

The MiLAN logo and MiLAN Technology are registered trademarks of MiLAN Technology in the United States and/or other countries.

To Contact Technical Support:

For prompt response when calling for service, have the following information ready:

- product serial number
- date of purchase
- vendor or place of purchase

You can reach MiLAN Technology technical support at:

- Email: support@milan.com
- Telephone: +1.408.744.2775
- Fax: +1.408.744.2793

MiAN Technology
 1329 Moffett Park Drive
 Sunnyvale, CA 94089
 United States of America

Telephone: +1.408.744.2775
 Fax: +1.408.744.2793

<http://www.milan.com>
info@milan.com

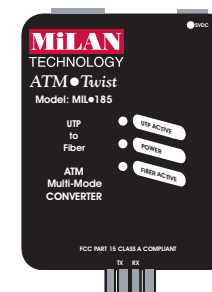


MIL-185C/MIL-195C

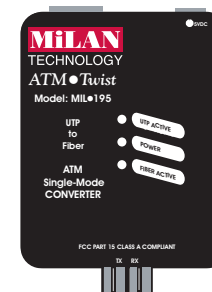
ATM • Twist

ATM Fiber/UTP Converter

MIL-185C



MIL-195C

**Installation Guide**

This guide includes the following information:

- "Introduction" on page 2
- "Installation" on page 3
- "Configuration Option" on page 4
- "Specifications" on page 7

About this Manual

This manual covers both the MIL-185C and the MIL-195C media converters.

The terms “converter” or “device” are used throughout the document to describe either the MIL-185C or the MIL-195C.

Introduction

The MIL-185C and the MIL-195C are compact, physical media converters that allow the user to convert signals between ATM fiber optic cabling in either multi-mode or single-mode, and UTP cabling. Both converters support OC-3 (155Mbps) speeds.

Features

- Fiber budget sufficient to drive 2 km for multi-mode or 15 km for single-mode fiber
- One SC-type single-mode (MIL-195C) or one SC-type multi-mode (MIL-185C) connector
- One shielded RJ-45 UTP connector
- External power supply
- Diagnostic LEDs
- Small form factor

Operating Conditions

Table 1: Recommended Operation Conditions

Parameters	Minimum	Maximum
Operating Temperature	+5° C	40° C
Humidity: non-condensing	10%	95%
Signal Output Load	35 ohm	75 ohm
Supply Voltage	4.75 V	5.25 V

Power Supply

External power is required. The device draws 900 mA at normal operation in room temperature of 25° C.

- Domestic: 110 V AC wall mount power supply.
- International: 220 V AC power supply with IEC receptacle.

Connectors

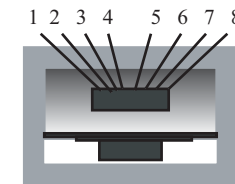


Figure 5. RJ-45 Connector

RJ-45 Pinouts

- Pin 1 = Transmit Data +
- Pin 2 = Transmit Data -
- Pin 7 = Receive Data +
- Pin 8 = Receive Data -

MIL-195C

The MIL-195C converter supports full-duplex ATM Fiber/UTP links. For fiber budget constraints, the MIL-195C has a launch power of -19 db and a receive sensitivity of -30 db (using a 1300 nm class 1 laser). In a full-duplex environment, up to 100m of CAT 5 UTP and 15km single-mode fiber can be used.

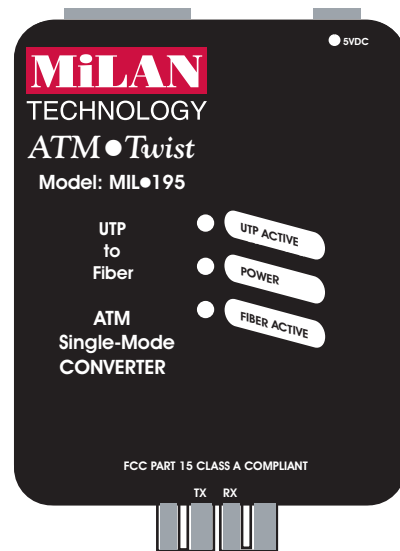


Figure 4. MIL-195C

Specifications

Storage Temperature

- Minimum: -25° C
- Maximum: 75° C

Installation

To install either converter:

1. Attach the CAT 5 UTP cable from the network to the RJ-45 port on the device.

Note: Use screened CAT 5 UTP cable for CISPR-22 class B installation.

2. Attach the fiber network cable connectors to the connectors marked “RX” (Receive) and “TX” (Transmit).
3. Connect the power receptacle from the wall adapter to the unit.
4. Verify that the power LED illuminates.
5. Verify that both the UTP and the FIBER active LEDs also illuminate when all cables are attached.

Important notice: This device is set to half duplex mode at the factory. If you are experiencing excessive collision errors or CRC errors, then you must force full duplex mode operation on the connecting device(s) before you power up the MiLAN device(s).

Diagnostic LEDs

- **UTP ACTIVE:** Illuminates when the device receives a valid signal from the device connected to the UTP port
- **POWER:** This LED illuminates when the device is powered up
- **FIBER ACTIVE:** Illuminates when the device receives a valid signal from the device connected to the fiber port.

Configuration Options

The following two figures display the typical network configuration for the converters.

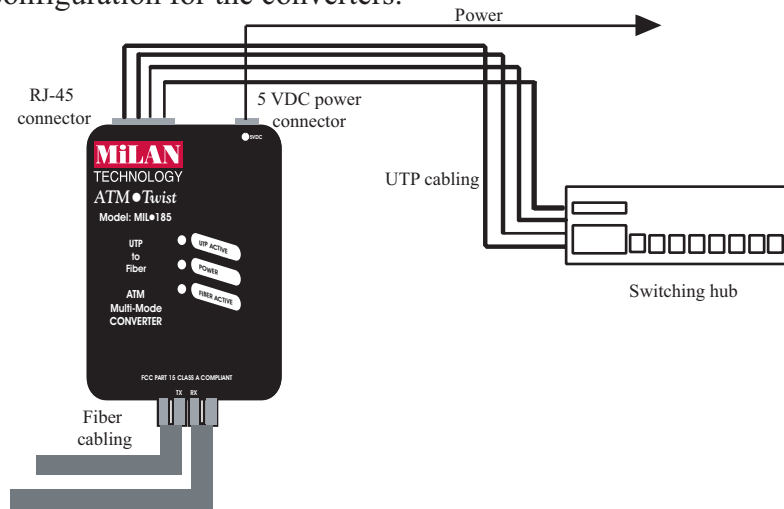


Figure 1. Fiber Network to Switching Hub

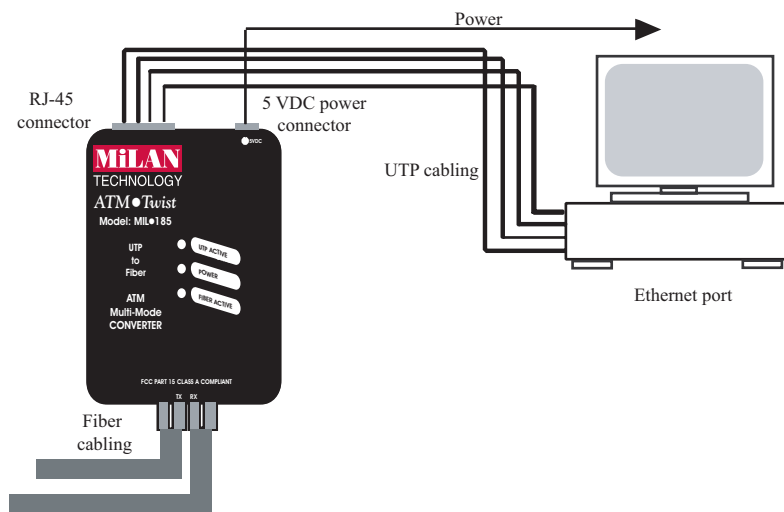


Figure 2. Fiber Network to Remote—Full-Duplex Workstation

Special Notes

MIL-185C

The MIL-185C converter supports full-duplex ATM Fiber/UTP links. For network budget constraints, the MIL-185C has a launch power of -19 db and a receive sensitivity of -31 db (using a 850 nm class 1 laser). In a full-duplex environment, up to 100m of CAT 5 UTP and 2km of multi-mode fiber may be used.

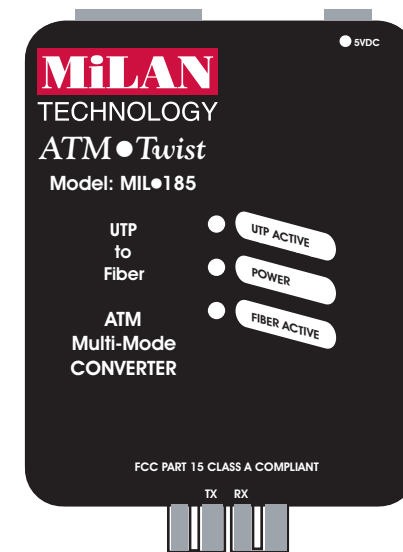


Figure 3. MIL-185C