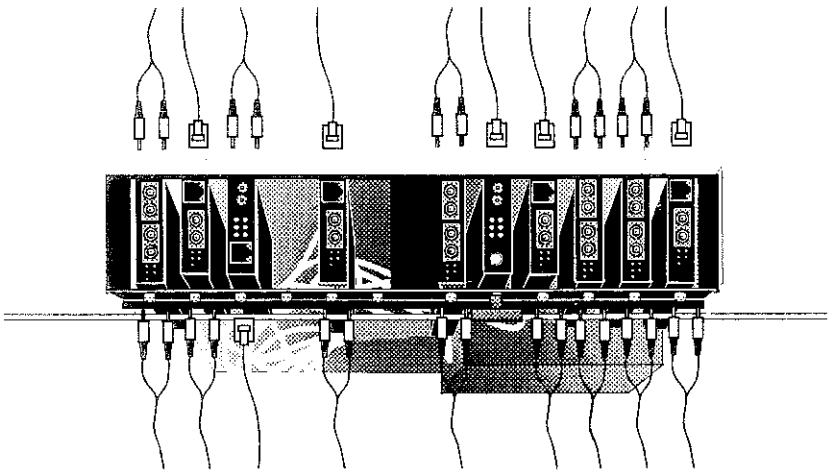


Media Converter Rack E-MCR-03, E-MCR-03(T) USER'S GUIDE

The TRANSITION Networks E-MCR-03 series Media Converter Rack provides space and power in a rack-mountable chassis for twelve (12) separate and independent TRANSITION Networks stand-alone media converters, each with power requirements of 9 VDC to 12 VDC.



NOTE: The E-MCR-03 Media Converter Rack is intended for installation of media converters designed and built only by TRANSITION Networks.

E-MCR-03

Provides installation space for up to twelve (12) TRANSITION Networks E-MC-1600-related and/or CP5MC1800-related stand-alone media converters that each have dimensions approximately 4.7" deep x 3.0" high x 1.0" wide and that require an external power supply.

E-MCR-03(T)

Provides installation space for up to twelve (12) tall J/FE-CF-02 and/or CP5MC0T00-related stand-alone media converters that each have dimensions approximately 4.0-5.7" deep x 3.9" high x 1.0" wide and that require an external power supply.

Installation	2
Maintenance	6
Technical Specifications	7
Compliance Information	8

NOTE: The TRANSITION Networks Media Converter Rack is shipped with

attached feet for installation on any well-ventilated table-top or shelf.

Optionally, the Media Converter Rack can be installed in a standard site rack,

using installation brackets and attachment screws provided.

Optionally Install Media Converter Rack in Site Rack

WARNING: Carefully mount the Media Converter Rack in the standard site

rack to prevent creating a hazardous condition due to uneven mechanical

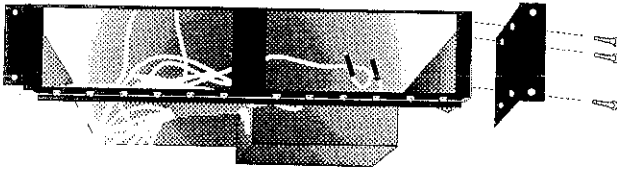
loading. Failure to observe this warning could allow the Media Converter Rack

to fall, resulting in injury to personnel and/or equipment damage.

ATTACH MOUNTING BRACKETS TO MEDIA CONVERTER RACK

1. Locate two (2) mounting brackets and six (6) screws (PROVIDED) for each Media Converter Rack to be installed.

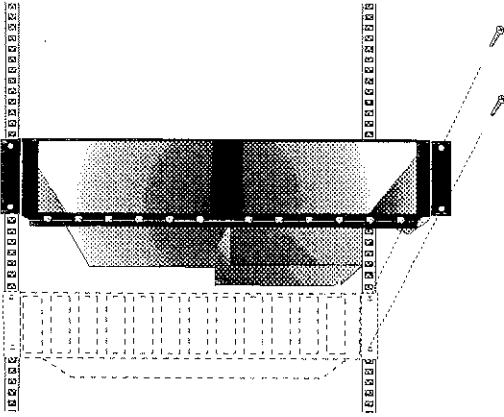
2. Align each mounting bracket against side of Media Converter Rack so that Media Converter Rack installation holes are visible through mounting bracket installation holes.



3. Using Phillips screwdriver, install three (3) screws through each mounting bracket into side of Media Converter Rack.

ATTACH E-MCR-03 TO SITE RACK

4. Locate four (4) screws and optional clip-nuts (NOT PROVIDED) for each Media Converter Rack to be installed.



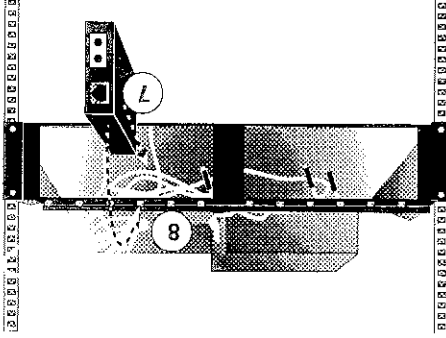
5. Carefully align the Media Converter Rack at a level position between the site rack mounting rails.

6. Install two (2) screws through right front bracket into right site rack mounting rail and two (2) screws through left front bracket into left site rack mounting rail, using clip nuts to secure if necessary.

Install Media Converter(s) in Media Converter Rack

7. Align media converter within installation space at front of Media Converter Rack and carefully slide into place.

8. Tighten thumb screw located on Media Converter Rack directly above media converter to secure.



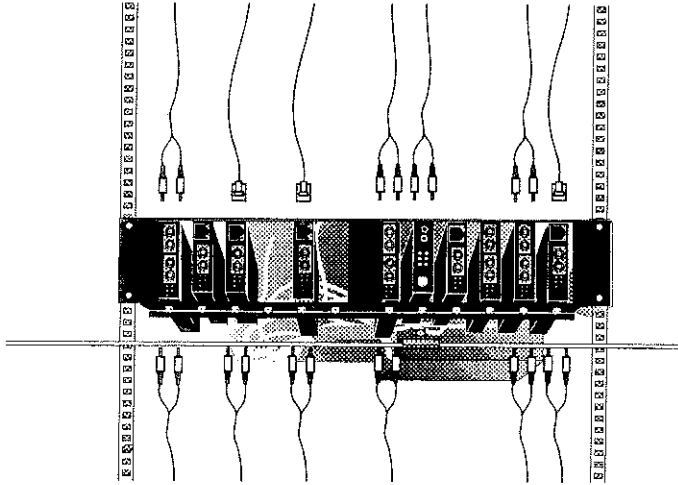
INSTALLATION (continued)

Install Media Cables at Front of Media Converter(s)

CAUTION: Do not use the Media Converter Rack chassis to provide earth ground for any 10BASE-2 cable shield connected to any installed media converter. Failure to observe this caution could cause the Media Converter Rack and all installed media converters to fail.

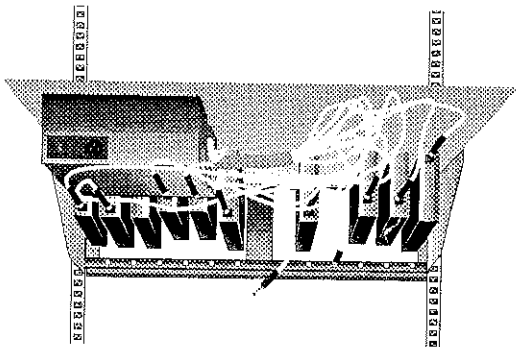
CAUTION: Ensure that both input and output connectors on EACH media converter are connected to cables carrying the same network protocol and the same network speed. Failure to observe this caution could cause data transfer to fail.

9. Refer to documentation that comes with media converter(s) to determine correct cable specifications and distances for each media converter.
10. Connect input and output media cable at front of media converter(s).



Connect Media Converter(s) to Power

11. Locate media converter power cord (shipped with connector secured in rubber grommet located above media converter installation slot).



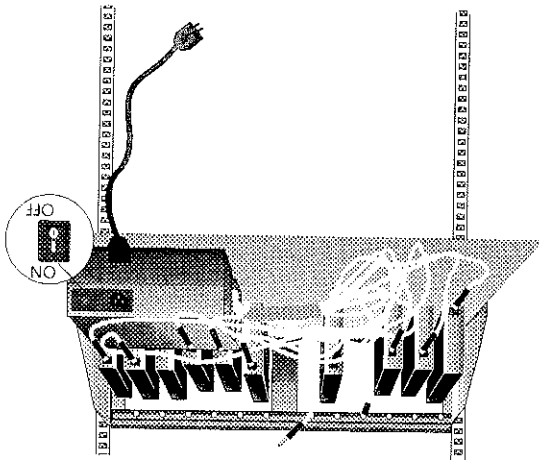
12. Remove media converter power connector from rubber grommet and install in power receptacle at back of media converter.

Power Media Converter Rack

NOTE : Ensure that available power circuits are not overloaded and that rack mounting equipment is reliably grounded.

13. Locate power receptacle, associated fuse and power switch on power supply at Media Converter Rack back.

14. Connect female end of power cord to Media Converter Rack.



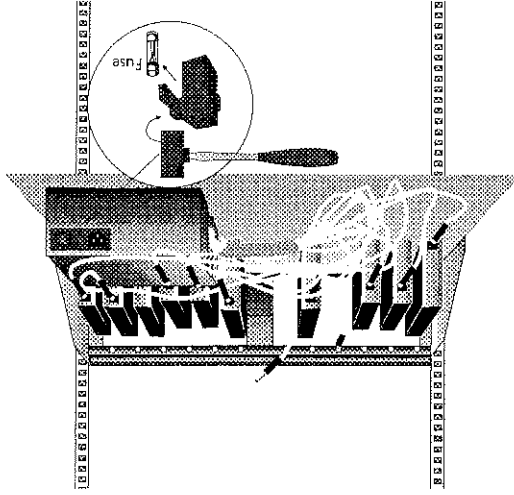
15. Connect male end of power cord to external AC outlet.

16. Set ON/OFF switch to "I".

NOTE: Power LED indicators on front of installed media converters are illuminated when installation is complete.

Replacing Media Converter Rack Fuse

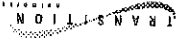
1. Disconnect outlet end of power cord from AC wall socket.
2. Disconnect power cord from Media Converter Rack power receptacle.
3. From inside edge of power receptacle, insert small flat blade screwdriver into groove on front inside edge of fuse holder and carefully pry fuse holder (with installed fuse) from Power Supply Module.



4. Rotate fuse holder to display fuse.
5. Carefully remove fuse from fuse holder.
6. Install **same size and rating** replacement fuse in fuse holder.
7. Return fuse holder and fuse to installation position in Media Converter Rack Power Supply.
8. Connect power cord to Media Converter Rack Power Supply power receptacle.
9. Connect power cord to AC wall socket.

TECHNICAL SPECIFICATIONS

Compliance	UL listed EN60950; FCC & CISPR class A; CE Mark
Dimensions	17.0" x 14.0" x 5.0" (both models)
Power Requirements	Ensure that available power circuits are not overloaded and that rack mounting equipment is reliably grounded.
Input Voltage	85-264 VAC
Input Frequency	47-63 Hz
Output Voltage	9 VDC
Output Current	600 mA per port maximum
Power Cord	TN P/N
	Requirement
	Location
	3344 120 volts, 60 Hz
	3344 100 volts, 50-60 Hz
	3347 230 volts, 50 Hz
	3348 240 volts, 50 Hz
	3349 240 volts, 50 Hz
	United Kingdom
Environment	Typical Operating Temperature: 0-50°C (32° to 122° F)
	Storage Temperature: -20 to 85°C
	Humidity 10-90%, non condensing
	Altitude 0-10,000 feet
Warranty	Lifetime



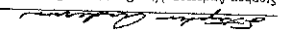
DECLARATION OF CONFORMITY

Name of Mfg: Transition Networks
 6475 City West Parkway, Minneapolis MN 55344 USA

Model: E-MCR-03 Series Media Converter Rack
 Part Number: E-MCR-03, E-MCR-03(T)
 Regulation: EMC Directive 89/336/EEC

Purpose: To declare that the E-MCR-03 to which this declaration refers is in conformity with the following standards:
 EMC-CISPR 22: 1985 Class A; EN 55022: 1988 Class A; EN 50082-1:1992; EN 60950 A4:1997; IEC 801.2, IEC 801.3, and IEC 801.4; IEC 950

I, the undersigned, hereby declare that the equipment specified above conforms to the above Directive(s) and Standard(s).


 Stephen Anderson, Vice President of Engineering

Date: May 8, 2007

COMPLIANCE INFORMATION

UL Listed

C-UL Listed (Canada)

CISPR/EN55022 Class A

FCC Regulations

This equipment has been tested and found to comply with the limits for a class A digital device, pursuant to part 15 of the FCC rules. These limits are designed to provide reasonable protection against harmful interference when the equipment is operated in a commercial environment. This equipment generates, uses, and can radiate radio frequency energy and, if not installed and used in accordance with the instruction manual, may cause harmful interference to radio communications. Operation of this equipment in a residential area is likely to cause harmful interference, in which case the user will be required to correct the interference at the user's own expense.

Canadian Regulations

This digital apparatus does not exceed the Class A limits for radio noise for digital apparatus set out on the radio interference regulations of the Canadian Department of Communications.

Le présent appareil numérique n'émet pas de bruits radioélectriques dépassant les limites applicables aux appareils numériques de la classe A prescrites dans le Règlement sur le brouillage radioélectrique édicté par le ministre des Communications du Canada.

European Regulations

Warning

This is a Class A product. In a domestic environment this product may cause radio interference in which case the user may be required to take adequate measures.

Achtung!

Dieses ist ein Gerät der Funkstörgrenzwertklasse A. In Wohnbereichen können bei Betrieb dieses Gerätes Rundfunkstörungen auftreten, in welchen Fällen der Benutzer für entsprechende Gegenmaßnahmen verantwortlich ist.

Attention!

Ceci est un produit de Classe A. Dans un environnement domestique, ce produit risque de créer des interférences radioélectriques, il appartient alors à l'utilisateur de prendre les mesures spécifiques appropriées.



CAUTION: RJ connectors are NOT INTENDED FOR CONNECTION TO THE PUBLIC TELEPHONE NETWORK. Failure to observe this caution could result in damage to the public telephone network.

Der Anschluss dieses Gerätes an ein öffentliches Telekommunikationsnetz in den EG-Mitgliedstaaten verstößt gegen die jeweiligen einzelstaatlichen Gesetze zur Anwendung der Richtlinie 91/263/EWG zur Angleichung der Rechtsvorschriften der Mitgliedstaaten über Telekommunikationsendeinrichtungen einschliesslich der gegenseitigen Anerkennung ihrer Konformität.

Trademark Notice

All registered trademarks and trademarks are the property of their respective owners.

Copyright Restrictions

© 2001 TRANSITION Networks.
All rights reserved. No part of this work may be reproduced or used in any form or by any means – graphic, electronic, or mechanical – without written permission from TRANSITION Networks.